

RAMCloud on ATOM Server

rev0.12

28 May 2014

Satoshi Matsushita

Stanford Univ. / NEC

Micro Modular Server with ATOM C2000



NEC Micro Modular Server

- Globally announced on May 20, 2014: (Press release : [NEC raises the bar for high density IT solution platforms for the public and private cloud](#))

Chassis: Redundancy (power supply, Networks, Fans) + Hot Swap

- 2U in standard 19inch rack
- Up to 46 **Atom** server with
32GB DRAM / 128GB SSD / 2x 2.5GbE
- 2x 230Gbps **switch** (FM5224), 4x 40Gbps uplinks
- Chassis Total: 1.4TB DRAM, 5.8TB SSD
- max. 2kW

16 chassis in a rack:

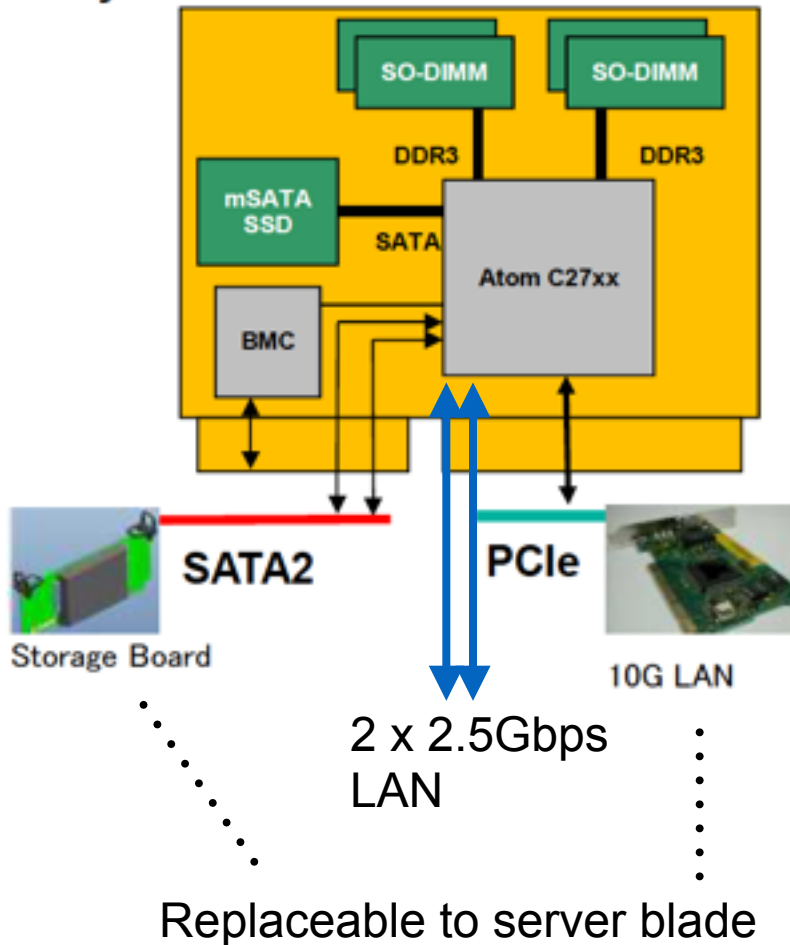
- 736 ATOM Servers (23TB DRAM, 92TB SSD)



ATOM Server Blade

Server Module

Block Layout

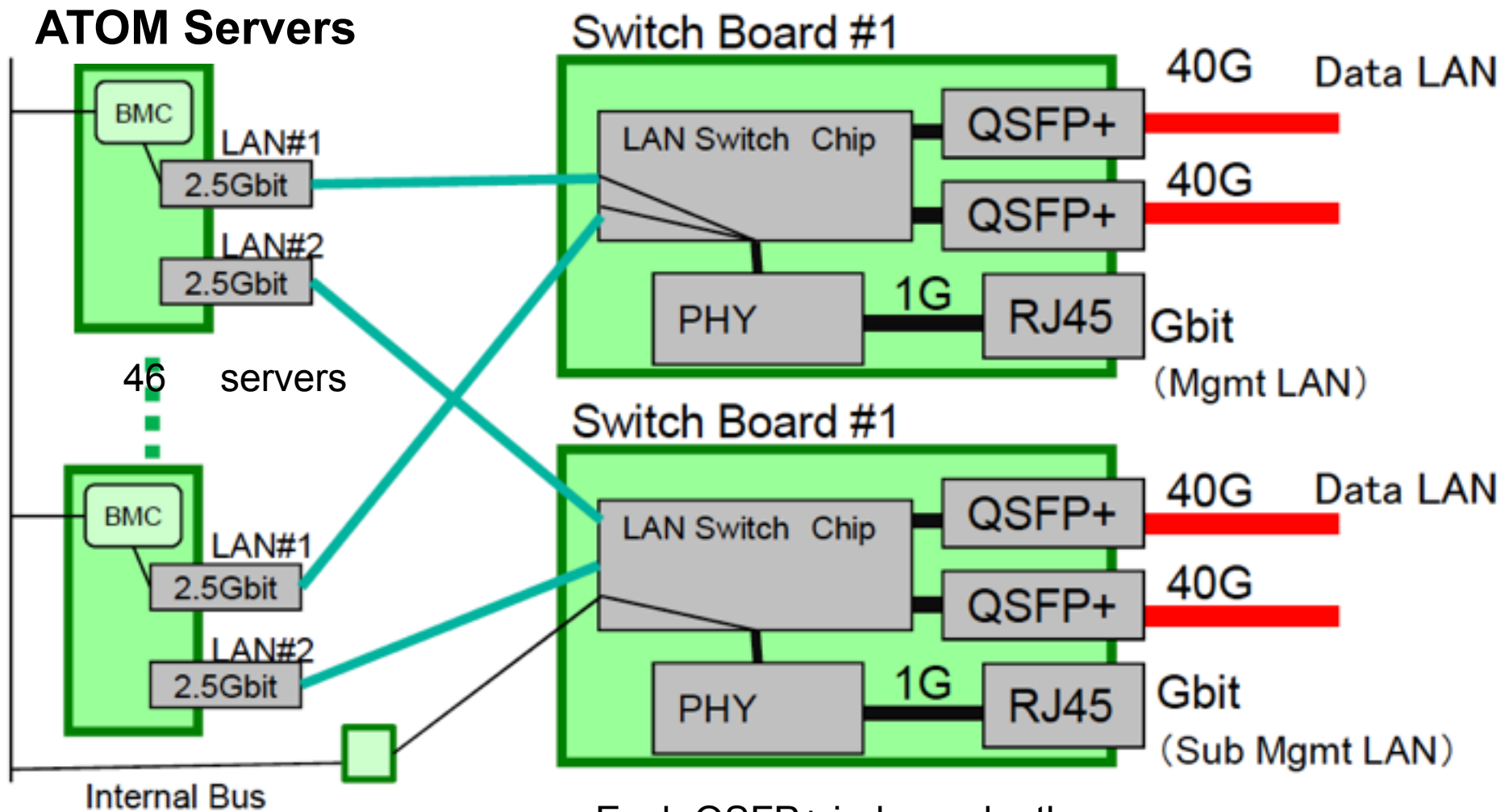


【SPECIFICATIONS】

- 1x CPU(Atom™ C27xx)
- 4x SO-DIMM (Max 32GB) w. ECC
- 1x mSATA SSD (128GB)
- 1x BMC
- 1x SATA3 (To mSATA SSD)
- 2x SATA2 (To storage board)
- 2x 2.5Gbit LAN

Processor	Cores	Frequency	Power
C2750	8C / 8T	2.4GHz	20W
C2730	8C / 8T	1.7GHz	12W

Connection in a Chassis



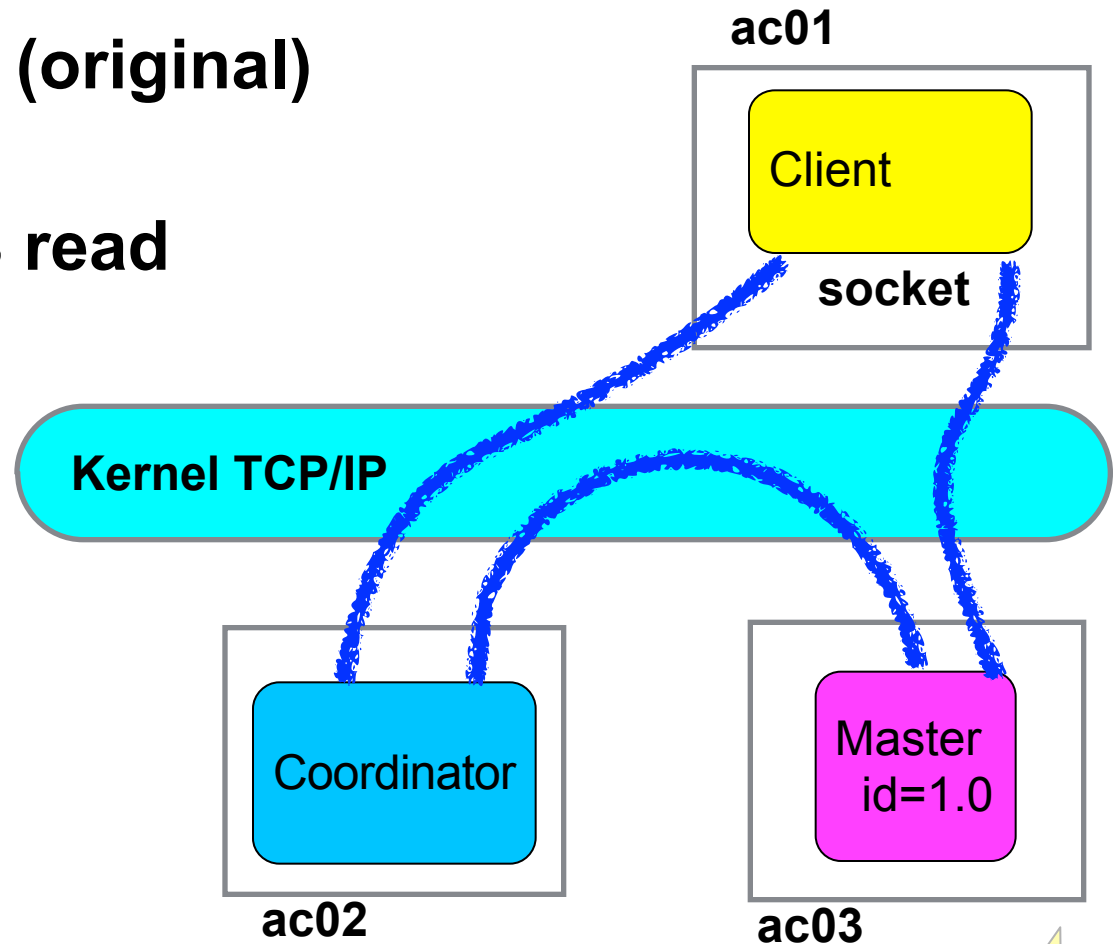
Each QSFP+ independently configurable as ether 1 x 40G or 4 x 10G

RAMCloud Performance on Micro Modular Server



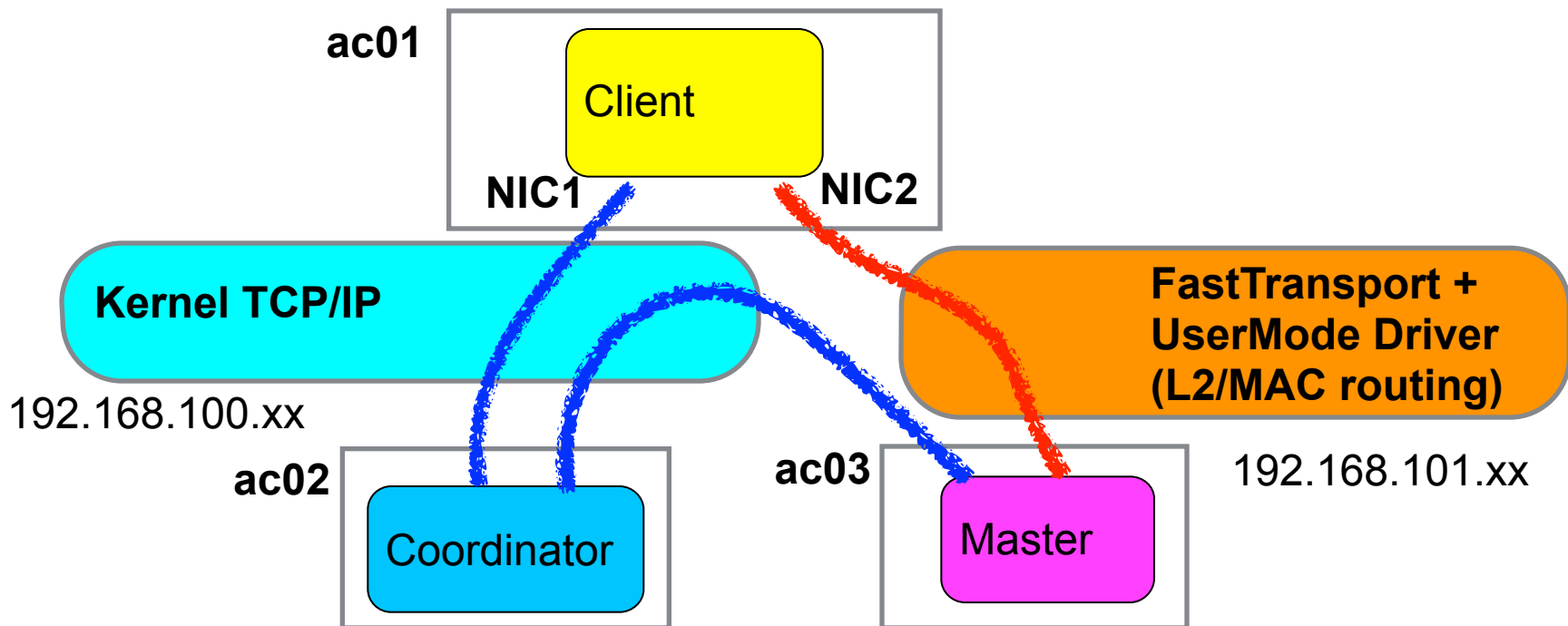
Base Evaluation

- **Disable replication (backup) and collocation of entity**
- **CentOS 6.5**
 - **Ping 120-150 us (original)**
- **Ported RAMCloud**
 - **67.8 us for 100B read (tuned)**



Improvement w. User Space Driver

- User space driver only for critical path, ie. Master-Client data path
No modification in RAMCloud code, changing startup parameter.
- Developed user mode driver for NIC2 based on Intel DPDK (Data Plane Development Kit)



Command Line:

```
$ coordinator -C tcp:host=192.168.100.31,port=12246
```

```
$ server -C tcp:host=192.168.100.31,port=12246 -L fast+dpdk:host=192.168.101.29,mac=94:DE:80:AB:01:79,port=12247 -r 0
```

```
$ ClusterPerf -C tcp:host=192.168.100.31,port=12246 --numClients 1 basic
```


Intel® Data Plane Development Kit (Intel® DPDK)

Intel® DPDK embeds optimizations for the IA platform:

- Data Plane Libraries and Optimized NIC Drivers in Linux

User Space

Queue & Buffer Management, Packet Flow Classification, Poll-Mode NIC Drivers (1/10GbE), and more!

Simple API Interface, Uses standard tool chain (gcc/icc, gdb, profiling tools)

- Run-time Environment

Low overhead, run-to-completion model optimized for fastest possible data plane performance

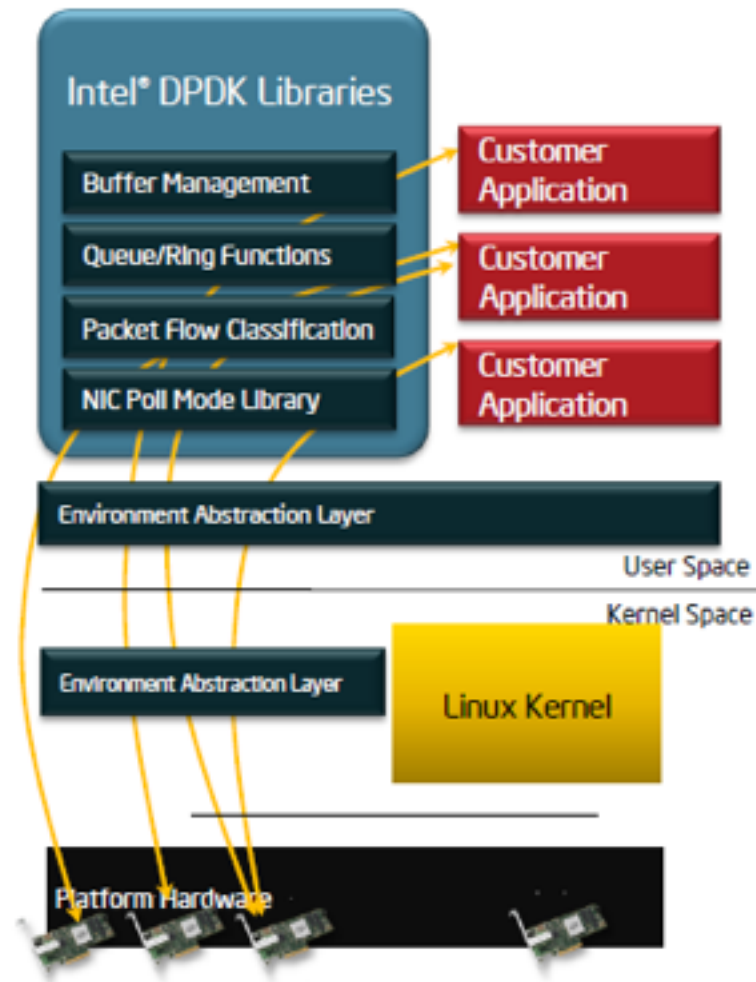
- Environment Abstraction Layer and Boot Code

Primarily platform-specific boot guidelines and initialization code, eases application porting effort

- BSD-licensed & source downloadable from Intel and leading ecopartners

Provided under a very flexible BSD licensing model

Offered as a free, unsupported standalone solution by Intel or as part of commercial solutions and offerings from leading ecopartners



Result

- Clusterperf.py basic, 30B key, Store and forward LAN switch
- Average and best/worst in 100 ms period. (7000 samples in 100B read)
- Room for tuning: **long tail** (Max), slow write.

	Atom Server: 1.7GHz + 2.5G Ether				rccluster (2.4GHz Xeon + 32Gbps Infiniband)	
Type	Ave.	Min.	Max.	Bandwidth	Ave.	Bandwidth
100B read	13.8 us	13.3	32.7	6.9 MB/s	5.1 us	18.7 MB/s
1KB read	20.7 us	20.0	37.7	46.1 MB/s	6.9 us	137.6 MB/s
10KB read	52.8 us	52.1	68.6	180.8 MB/s	10.4 us	914.1 MB/s
100KB read	373.2 us	371.3	379.0	255.5MB/s	47.2 us	2.0 GB/s
1MB read	3.9 ms	3.8	3.9	247.2 MB/s	420.8 us	2.2 GB/s
100B write	<u>18.2 us</u>	17.4	43.6	5.2 MB/s	15.7 us	6.1 MB/s
1KB write	25.6 us	24.7	64.1	37.2 MB/s	19.9 us	48.0 MB/s
10KB write	64.2 us	62.5	95.5	148.6 MB/s	38.5 us	247.7 MB/s
100KB write	431.4 us	423.2	463.0	221.0MB/s	235.3 us	405.3 MB/s
1MB write	4.7 ms	4.6	4.8	204.6MB/s	2.2 ms	436.0 MB/s

Backup
Enabled

Analysis

- Considerable gap between best and worst implies room for improvement
- Latency breakdown
- Analysis of low level (hardware) latency
 - Switch mode: Store and forward vs. Cut through
 - Comparison against user space ping

Latency Break Down: 100B-Rd

Code Segment	Elapsed	Section	Components
Client Code	2.82 us	Co + Ci	Client code including FastTransport
User Space Driver	8.35 us	Uo + Ui	Between DPDK driver outlets including NIC, LAN switch latency
Server Code	3.02 us	S	Server code including FastTransport

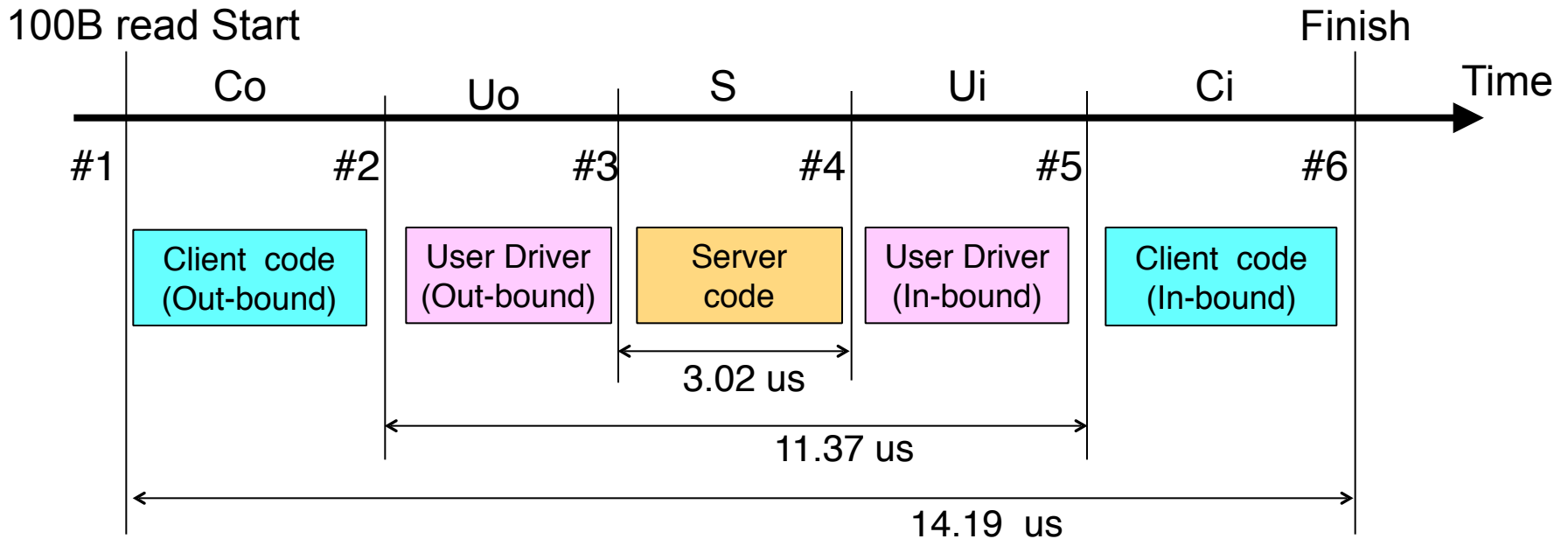


Figure.6 100B read latency break down

Latency Break Down: Ping

Code Segment	Elapsed	Section	Components
Client Code	0 us	Co + Ci	None: IPMI-packet is DMA transfered by NIC (terminated in DPDK driver)
User Space Driver	7 us	Uo + Ui	Between DPDK driver outlets including NIC, LAN switch latency
Server Code	0 us	S	None : (same as Client code)

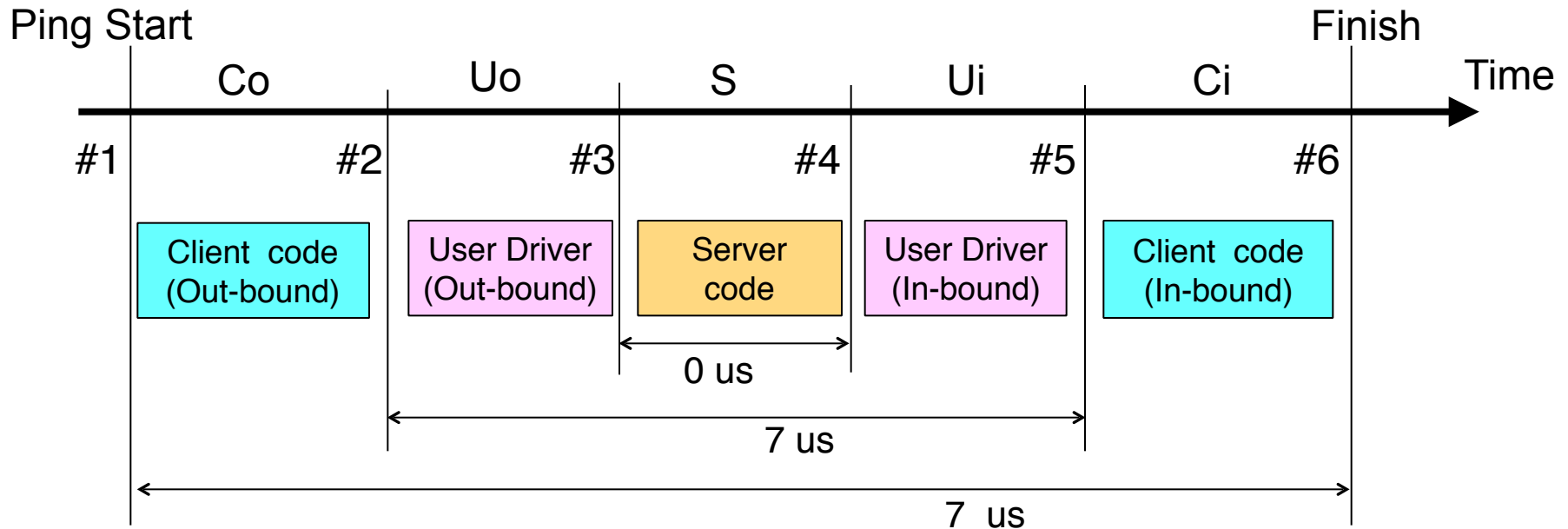


Figure.6 Ping latency break down

Cut & Through

- Slightly improvement for larger objects
- Clusterperf.py basic, 30B key
- Average and best/worst in 100 ms period. (7000 samples in 100B read)

Atom Server: 1.7GHz + 2.5G Ether								
LAN SW	Store and Forward				Cut Through			
Type	Ave.	Min.	Max.	Bandwidth	Ave.	Min	Max	Bandwidth
100B read	13.8 us	13.3	32.7	6.9 MB/s	13.8 us	13.3	32.2	6.9 MB/s
1KB read	20.7 us	20.0	37.7	46.1 MB/s	17.9 us	17.3	29.0	53.4 MB/s
10KB read	52.8 us	52.1	68.6	180.8 MB/s	48.6 us	47.8	55.9	196.4 MB/s
100KB read	373.2 us	371.3	379.0	255.5MB/s	369.0 us	367.3	376.1	258.4 MB/s
1MB read	3.9 ms	3.8	3.9	247.2 MB/s	3.8 ms	3.8	3.8	251.4 MB/s
100B write	18.2 us	17.4	43.6	5.2 MB/s	18.1 us	17.4	35.2	5.3 MB/s
1KB write	25.6 us	24.7	64.1	37.2 MB/s	22.7 us	21.8	120.8	42.0 MB/s
10KB write	64.2 us	62.5	95.5	148.6 MB/s	60.1 us	58.2	100.3	158.6 MB/s
100KB	431.4 us	423.2	463.0	221.0MB/s	428.3 us	418.9	470.9	222.7 MB/s
1MB write	4.7 ms	4.6	4.8	204.6MB/s	4.6 ms	4.5	4.7	206.8 MB/s

improved

degraded

Consideration

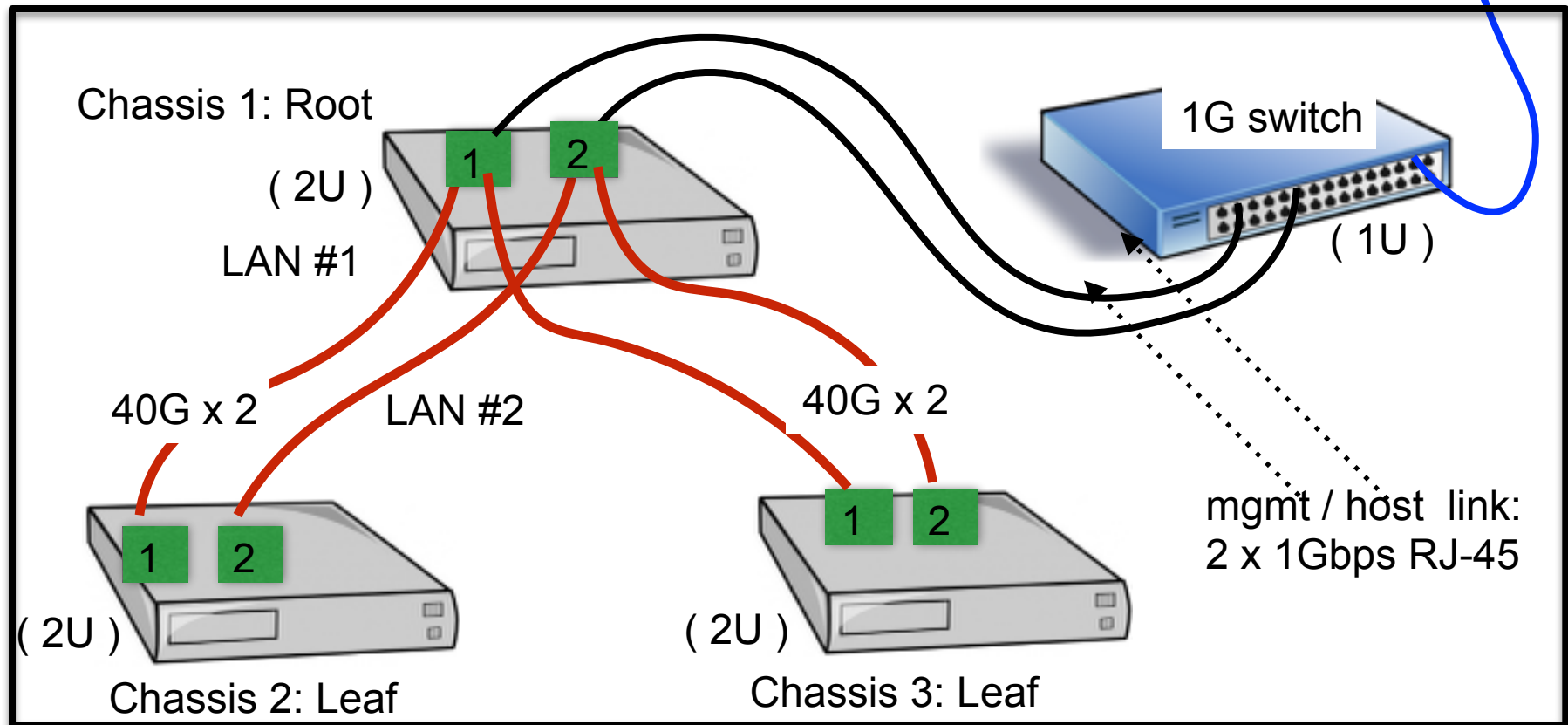
- Dominant latency of User Mode Driver (DPDK):
 - 8.35 us in 100B read, 7 us in Ping
- Copy overhead would be negligible:
 - ~0.4us for 100B (~1Kb) transfer at 2.5Gbps
 - Slight improvement with “Cut through” mode
 - Negligible time for 100B memcpy
(50 ns for 1KB copy on 2.4GHz Xeon)
- To tune DPDK driver:
 - Break down analysis of latency
 - Tune parameters
 - Shrink cache footprint ?

Spine-switch-less cluster at Stanford

1. Connected to for large scale experiments, application development
2. Connected to rcmaster with 2 x 1Gbps link
3. Smaller size, lower power : ~1/5 of Xeon server

ATOM Cluster (NEC Modular Micro Server)

3 chassis: 132 Servers, 4.1 TB DRAM, 16.5TB SSD



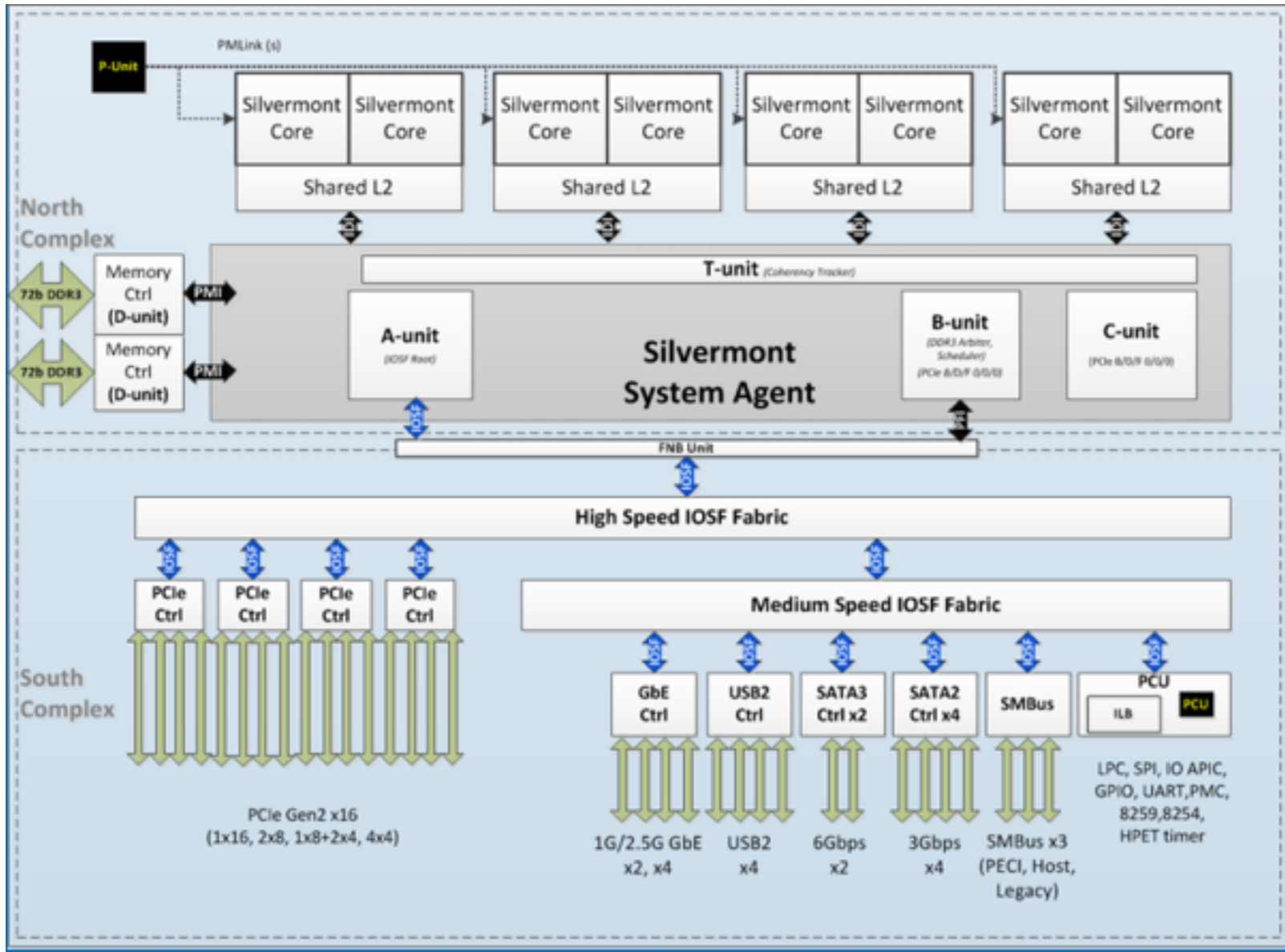
Conclusion

- Initial performance evaluation:
 - 13.8us for 100B read with custom user space driver on ATOM server (thru. 1hop chassis switch)
 - To analyze further analysis and improve
- Future enhancement in function:
 - Symmetric driver and link aggregation
 - Provideing turn key solution for other sites as a standardized hardware/software platform
 - Developing of management tool, etc
- Further evaluation of a larger scale system
 - On the new ATOM cluster in Stanford
 - Application development and evaluation
- Very welcome for feedback to improve the Micro Modular Server and forthcoming systems

Appendix

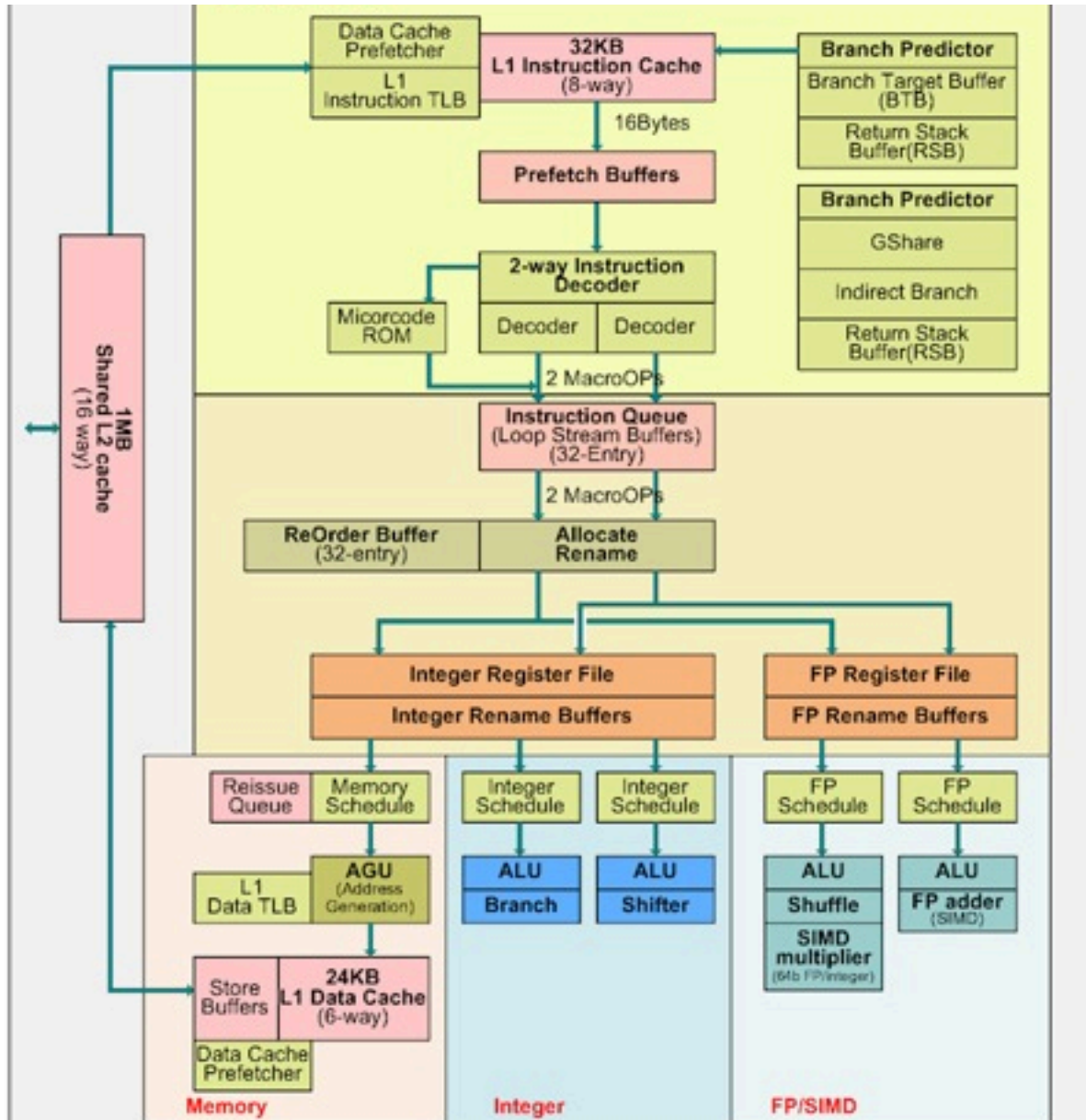


ATOM Avoton SoC



- 8 core
- 4x1MB L2
- 2x72b ECC DDR3
- PCIe Gen2 x 16
- I/O
- 2x 2.5GbE
- USB2
- SATA2/3
- SMBus
- PCU

ATOM Silvermont Micro Architecture



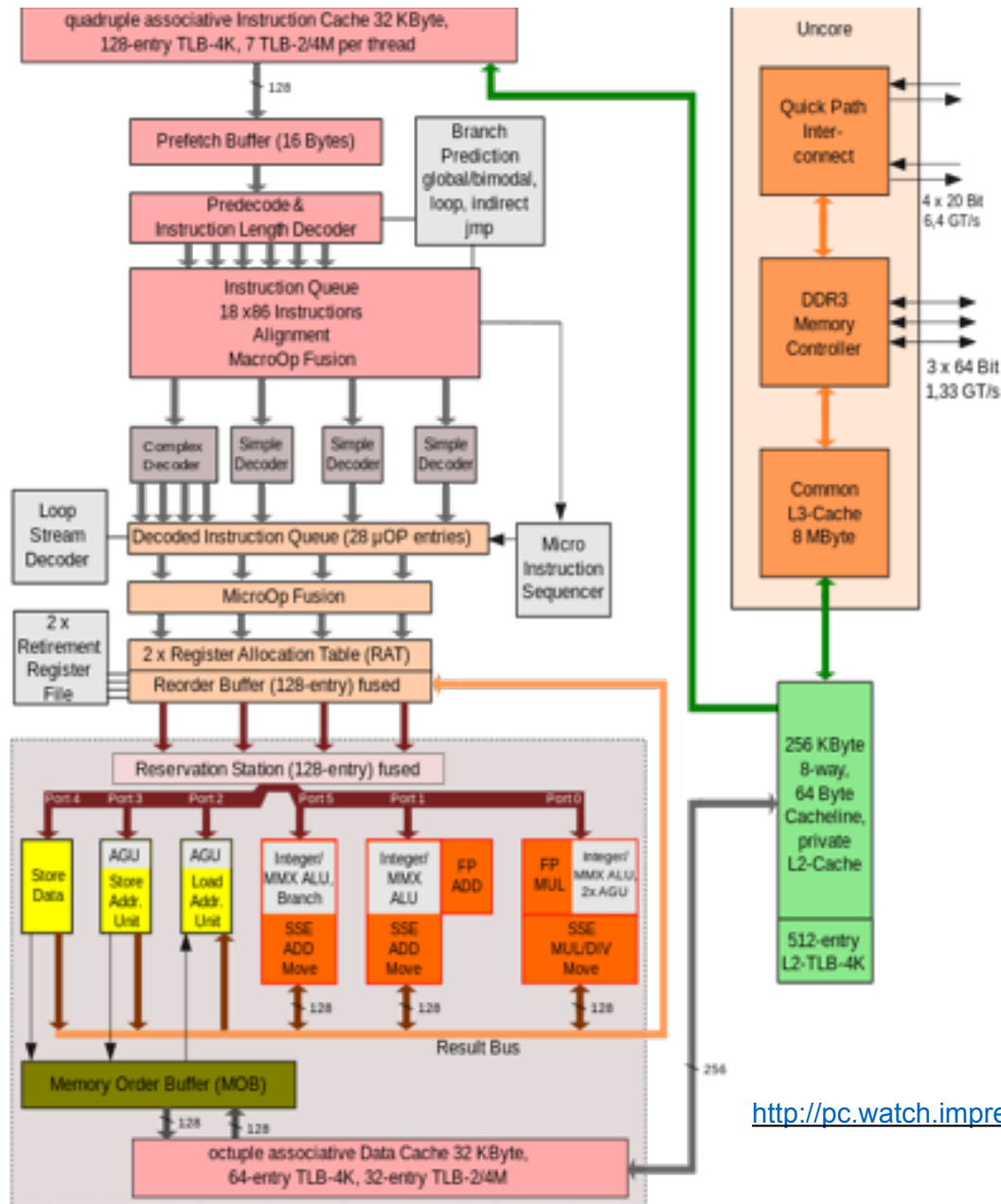
ATOM C27xx

1.7GHz/2.4GHz
 I\$/D\$=32KB 8way
 /24KB 6way
 L2=1MB 16way

2 issue
 32 Entry ROB

1 Memory Unit
 2 ALU
 2 FP

Xeon (Nehalem) Micro Architecture



Current RAMCloud Cluster








Xeon E5620
4core 2.4 GHz
L3 :12MB

(Westmare 45nm
- Nehalem Arch.)

<http://pc.watch.impress.co.jp/img/pcw/docs/601/161/html/O3.jpg.html>

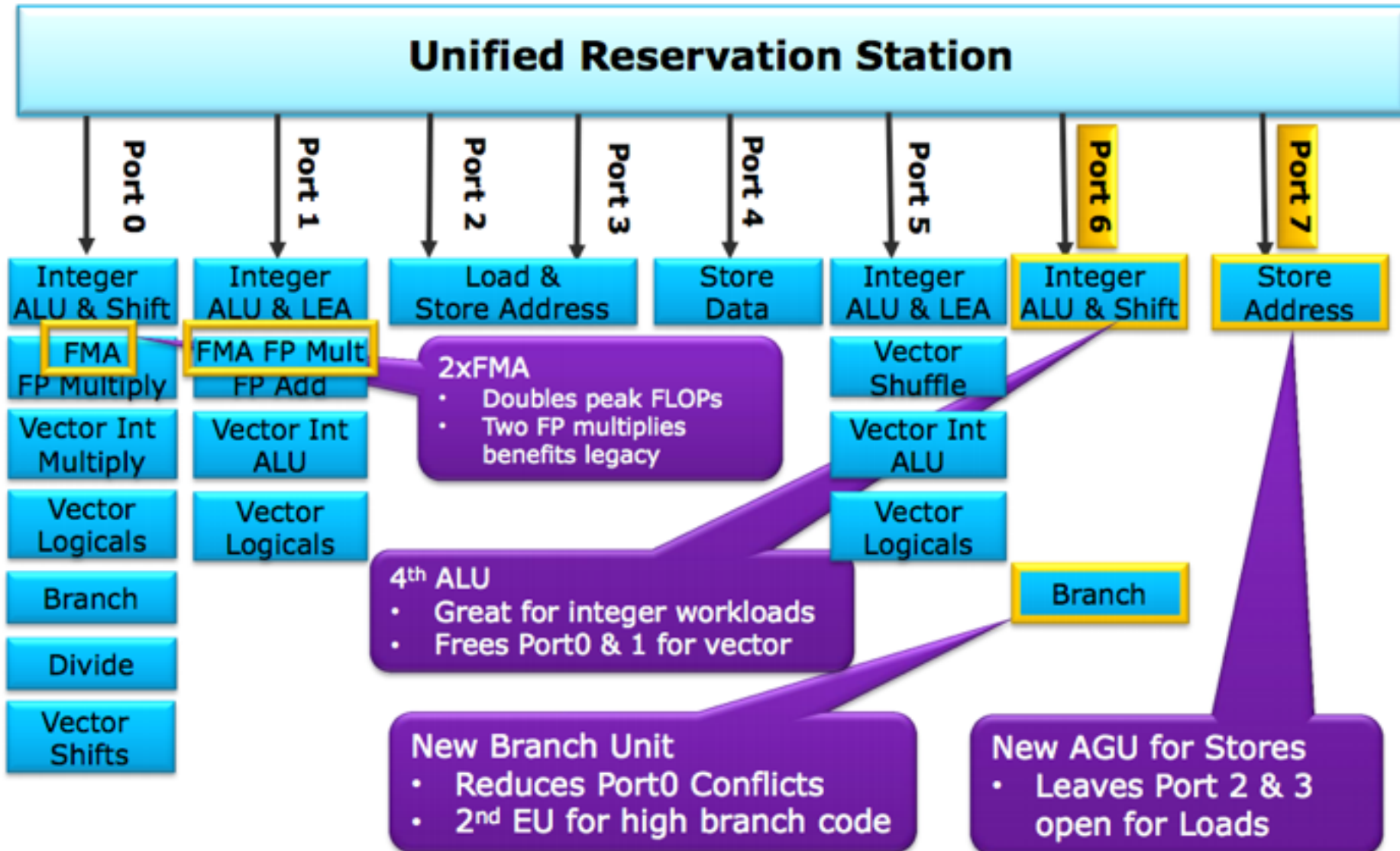
Haswell Buffer Sizes

Extract more parallelism in every generation

	Nehalem	Sandy Bridge	Haswell	
Out-of-order Window	128	168	192	
In-flight Loads	48	64	72	
In-flight Stores	32	36	42	
Scheduler Entries	36	54	60	
Integer Register File	N/A	160	168	
FP Register File	N/A	144	168	
Allocation Queue	28/thread	28/thread	56	

Haswell Execution Unit Overview

2014-HotChips25.80



Core Cache Size/Latency/Bandwidth

Metric	Nehalem	Sandy Bridge	Haswell
L1 Instruction Cache	32K, 4-way	32K, 8-way	32K, 8-way
L1 Data Cache	32K, 8-way	32K, 8-way	32K, 8-way
Fastest Load-to-use	4 cycles	4 cycles	4 cycles
Load bandwidth	16 Bytes/cycle	32 Bytes/cycle (banked)	64 Bytes/cycle
Store bandwidth	16 Bytes/cycle	16 Bytes/cycle	32 Bytes/cycle
L2 Unified Cache	256K, 8-way	256K, 8-way	256K, 8-way
Fastest load-to-use	10 cycles	11 cycles	11 cycles
Bandwidth to L1	32 Bytes/cycle	32 Bytes/cycle	64 Bytes/cycle
L1 Instruction TLB	4K: 128, 4-way 2M/4M: 7/thread	4K: 128, 4-way 2M/4M: 8/thread	4K: 128, 4-way 2M/4M: 8/thread
L1 Data TLB	4K: 64, 4-way 2M/4M: 32, 4-way 1G: fractured	4K: 64, 4-way 2M/4M: 32, 4-way 1G: 4, 4-way	4K: 64, 4-way 2M/4M: 32, 4-way 1G: 4, 4-way
L2 Unified TLB	4K: 512, 4-way	4K: 512, 4-way	4K+2M shared: 1024, 8-way

All caches use 64-byte lines

Intel® Ethernet Switch FM5224

Microserver Switch Silicon

Unmatched uServer density

- Up to 72 2.5G ports
- 8 10GbE or 2 40GbE uplinks

Rapid Array shared memory

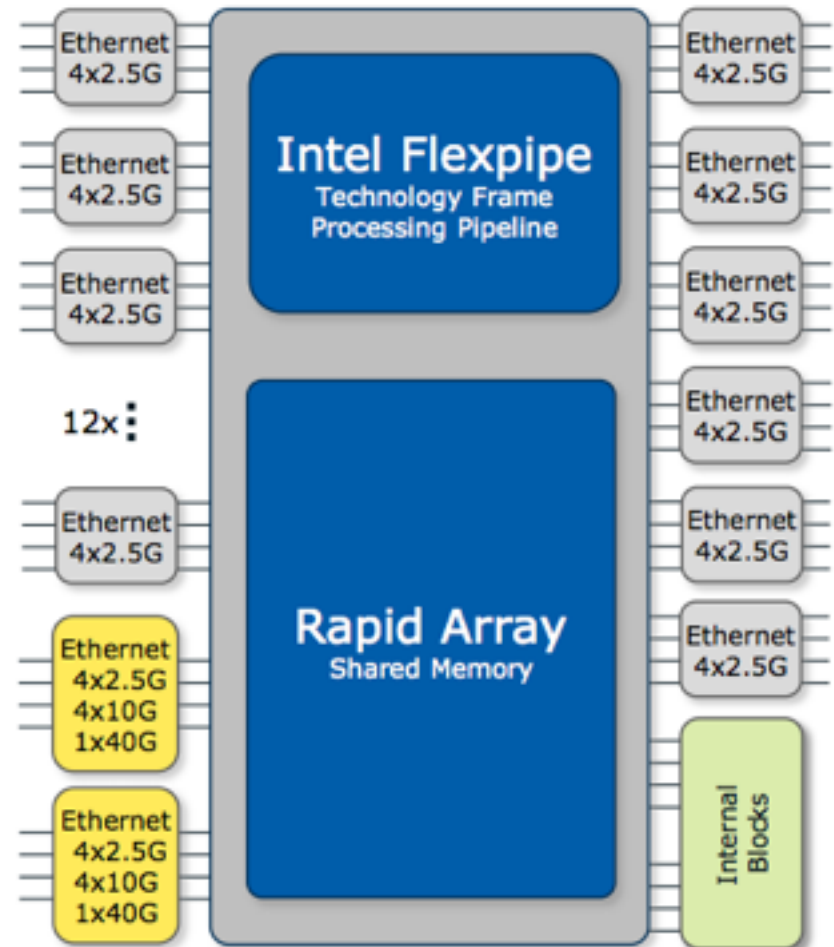
- 8MB shared memory
- 400nS cut-through latency

Intel® Flexpipe™ Technology frame processing

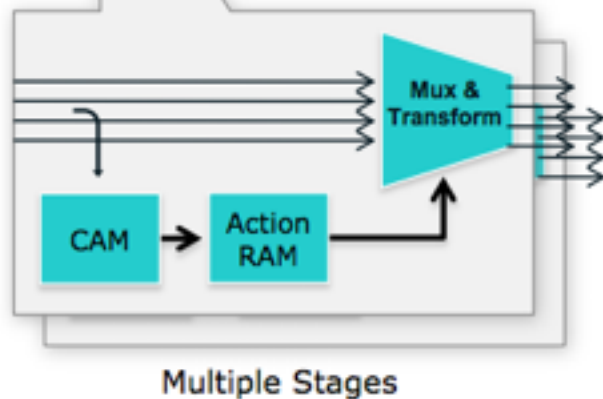
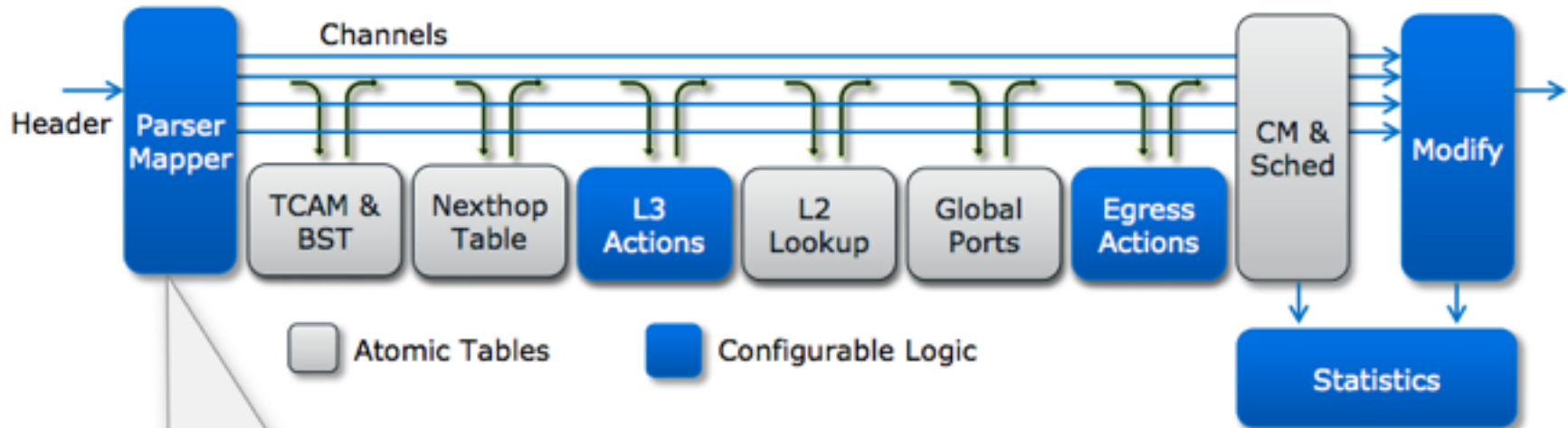
- Intel Flexpipe Technology frame processing
- VXLAN and NVGRE support
- Advanced load balancing
- IPv4/v6 routing
- CEE/DCB with 8 traffic classes
- Server virtualization support

Compact, flexible port logic

- Integrated SFI, KR PHY
- All ports can also operate at 10/100/1000/2500



Intel® Flexpipe™ Technology Frame Processing Pipeline



Sample Programmable Protocols

Tunneling	TRILL, MPLS, NAT
Network Overlays	VxLAN, NVGRE
Virtualization	EVB, VEPA, VEPA+, VN-Tag
Proprietary	Customer defined headers

Programmable and deterministic up to 960Mpps

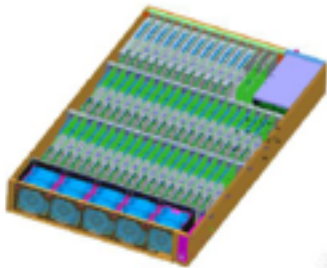
Ref: https://intel.activeevents.com/sf13/connect/fileDownload/session/A02B7458AF93EB0153BB728308E30F99/SF13_CLDS006_101.pdf

IDF13

Machine Specification

- Three Chassis arrived in April 2014.
- Total: 6U, 150kg
- 200V 6kW power (2 redundant C-13 socket @chassis)
- 4.8kW maximum at normal operation
- less than 1/3 of max. with CPU idle
- Can turn off each server blade and observe chassis temperature with IPMItool.

Server Chassis



		Chassis
Chassis Dimension (Width x Depth x Height)	x x	2U Chassis Width : 19Inch Depth: 800mm
Weight		Up to 47 kg (system)
Power		Two AC 200V 1.6kw power supply IEC C-14 connector Power consumption : Up to 1.9kw per chassis
Temperature		10 degree C ~ 40 degree C (Ambient air temp.)

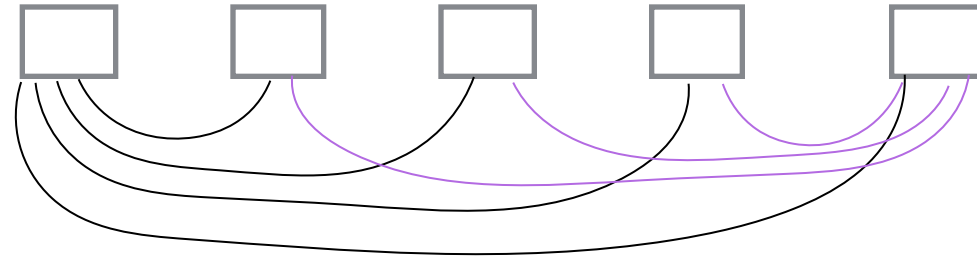
Future Extension



More Chassis - Various Spineless Topology

- Extension for loop tolerable routing needed
- Up to 5 chassis (220 servers): full connection with shortest 1 hop - connect other four servers with four links in a chassis

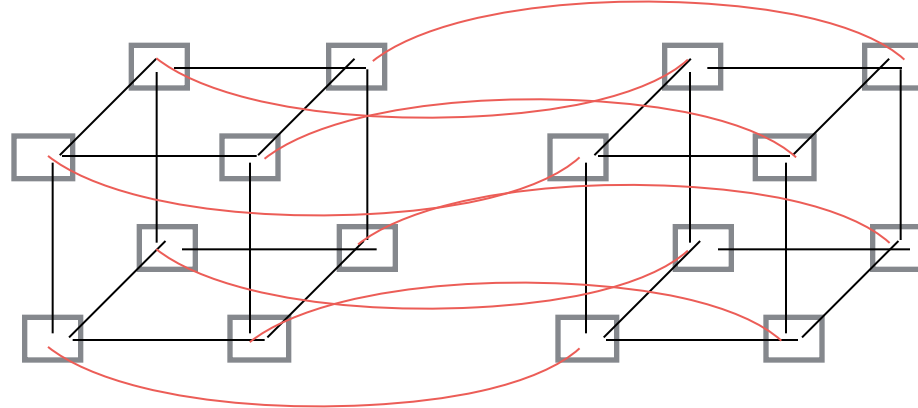
n link/chassis:
n+1 chassis
within 1 hop



Note)
Number of
TOR SW to
go through
is hop + 1

- Up to 16 chassis (704 servers): hyper cube with max 4 hops

2^n chassis
within n hop



If n=16:
65,536 chassis
(2.9M servers)
within 16 hop!!!
(Hard to connect
though...)

- Split fiber increase ports from a chassis to 16 x 10G which enable much larger configuration. (or combination of 10G & 40G)

- 4D torus, Fat tree, etc : more chassis with more hops or hot spots